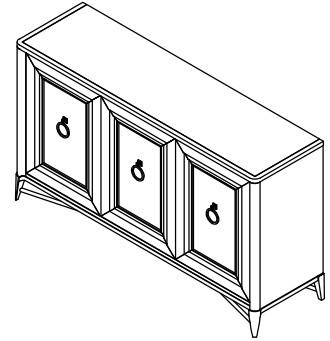


Warning :

- Be sure to check all packing material carefully for small parts, which may have come loose inside the carton during shipment.
- To prevent possible scratches and damage, this furniture must be assembled on a soft surface such as a blanket or carpet.

Important Use Information: We recommend using coasters, placemats and trivets when placing hot or cold containers on this item. It is also recommended to quickly cleanup any spills to minimize exposure to moisture. Doing so will prolong the life and look of the item for many years.

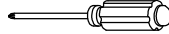


#50356 Server

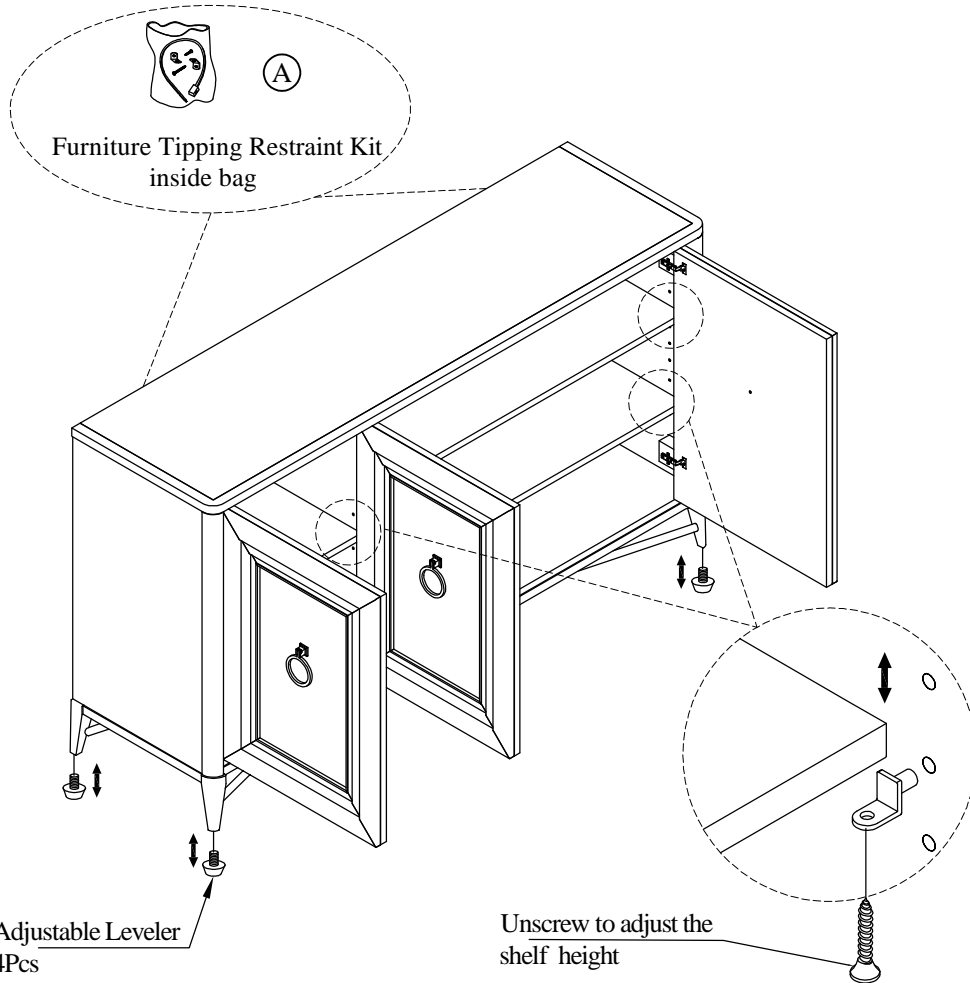
Components and Hardware List

Furniture Tipping Restraint Kit

Screw Driver
not included

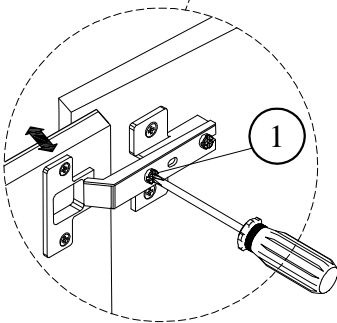
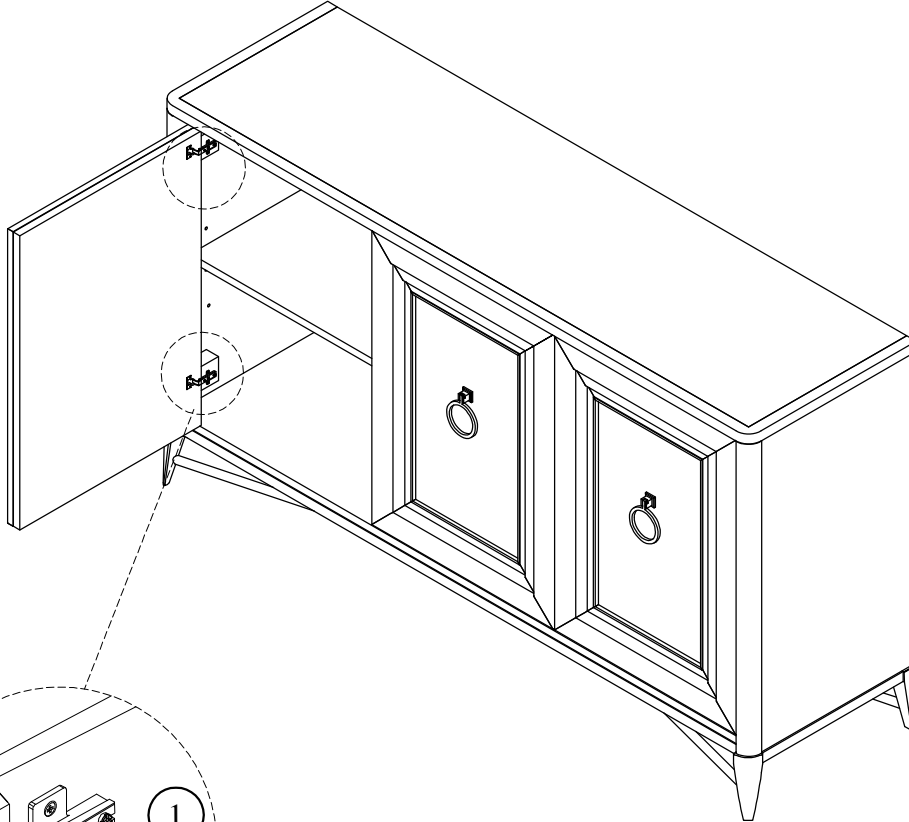


STEP 1:

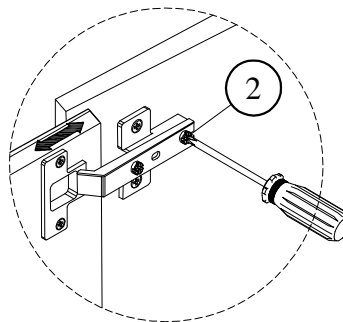


For product and personal safety, two Furniture Tipping Restraint kits have been included with this unit which can help to minimize the risk of the unit accidentally tipping forward, if used and properly installed per the kit manufacturer's instructions.

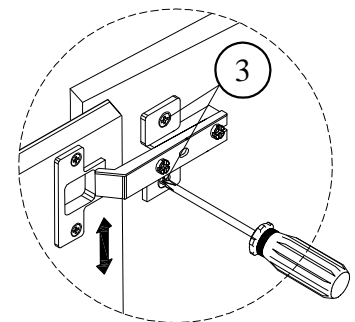
Hinge Adjustment Steps



Door Angle Adjustment
loosen screw 1, adjust gap with screw 2 and re-tighten Screw 1.



Horizontal Adjustment
loosen screw 1, push hinge arm forwards or backwards, re-tighten screw 1 and secure Screw 2 with a 1/4 turn clockwise.



Vertical Adjustment
loosen screw 3, adjust door height and re-tighten screw 3.

* The doors can be adjusted in all 3 directions to create an even fit between doors on this cabinet. Follow the appropriate directions above to adjust door(s) as necessary.